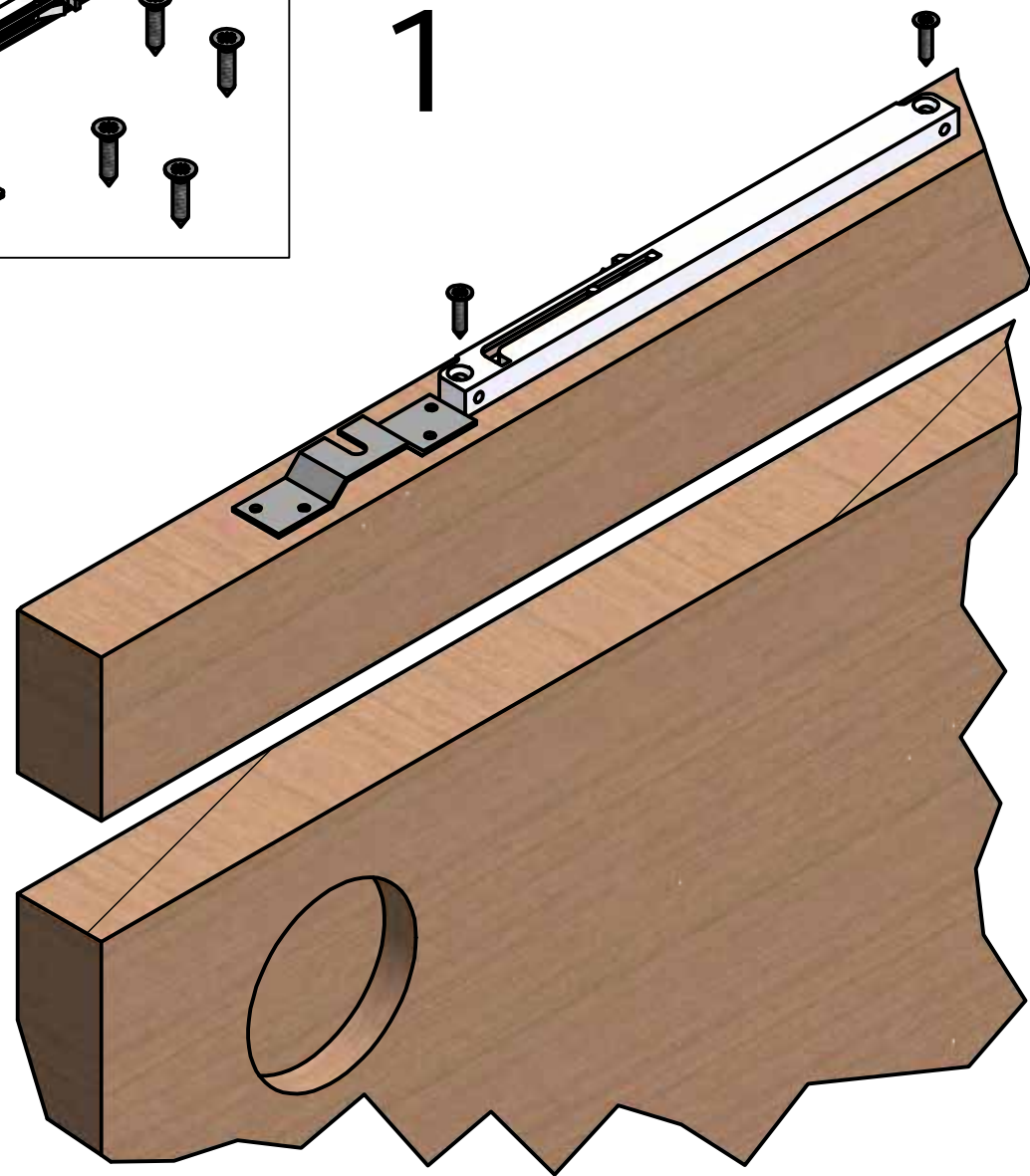
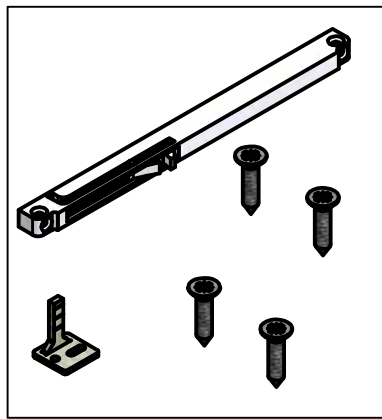
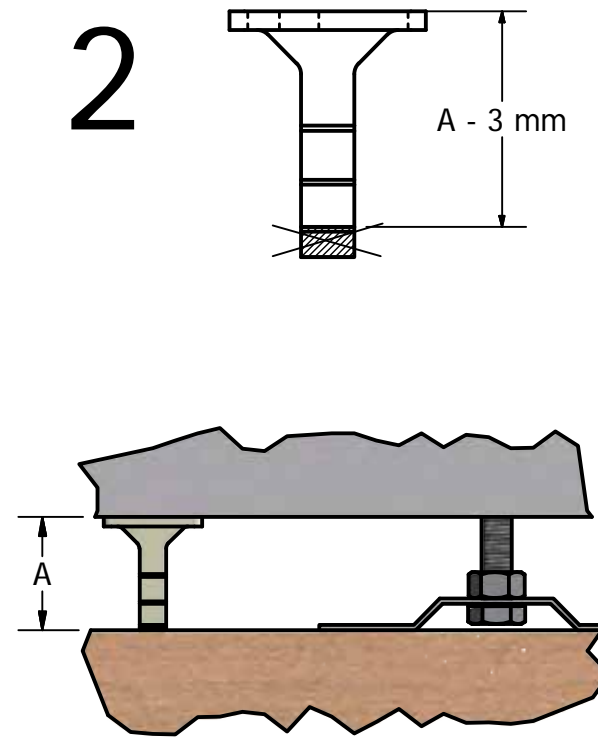


solution A

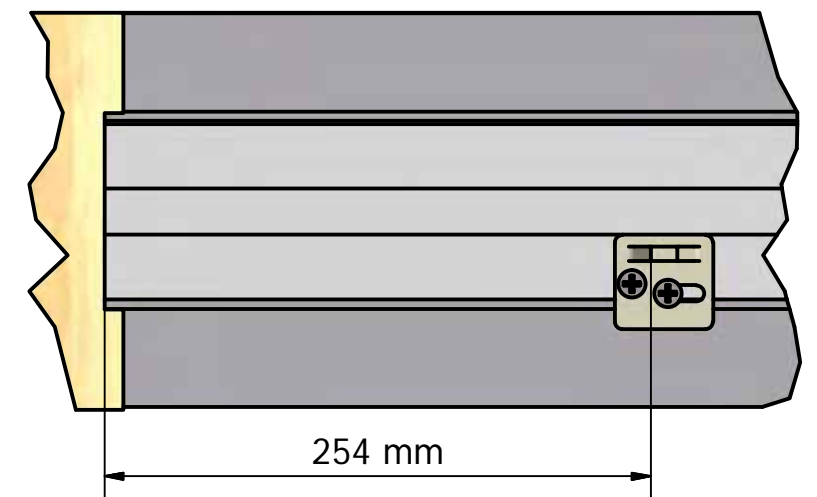
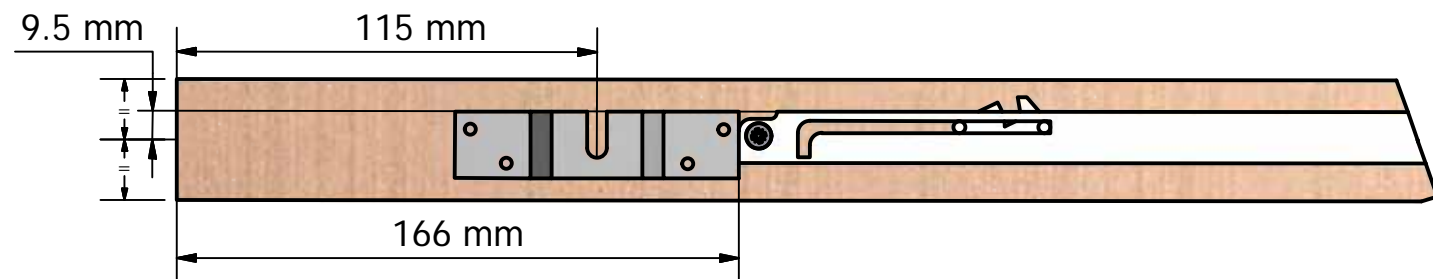
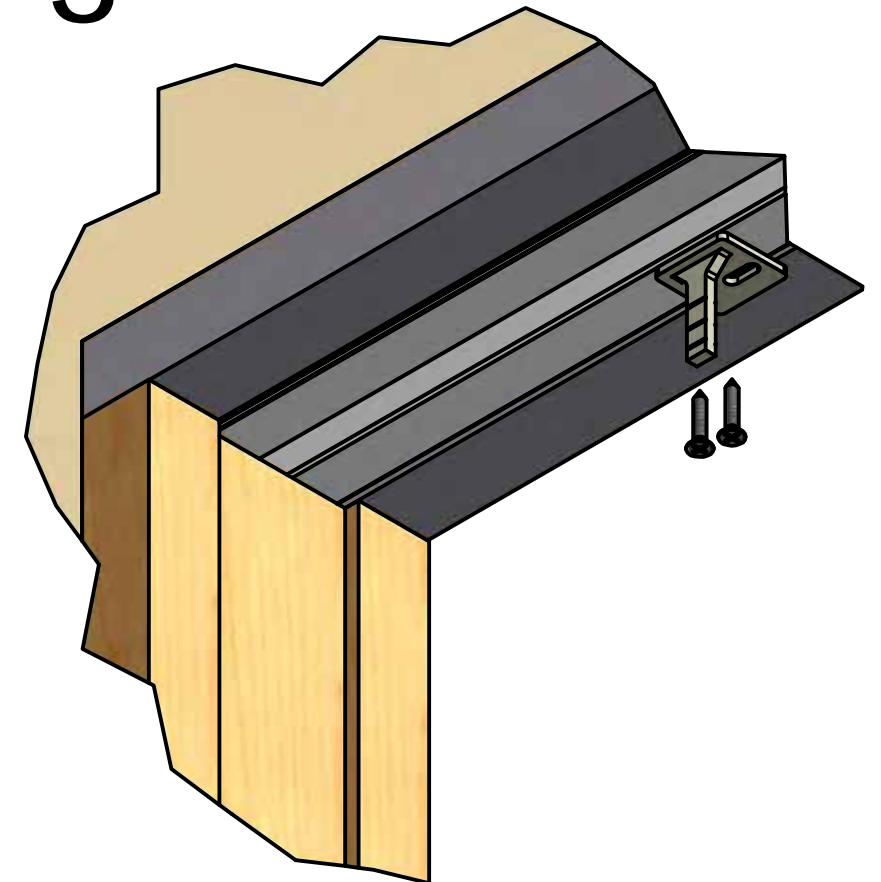
1

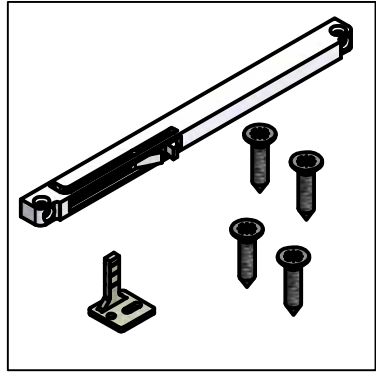


2



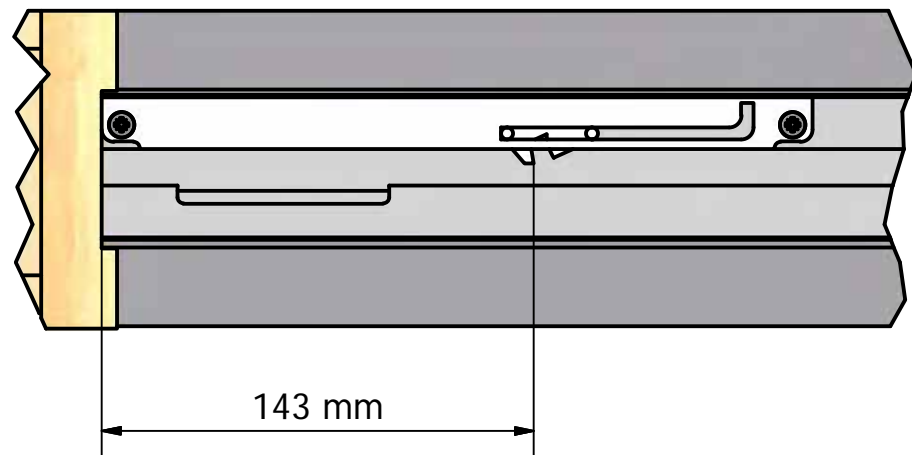
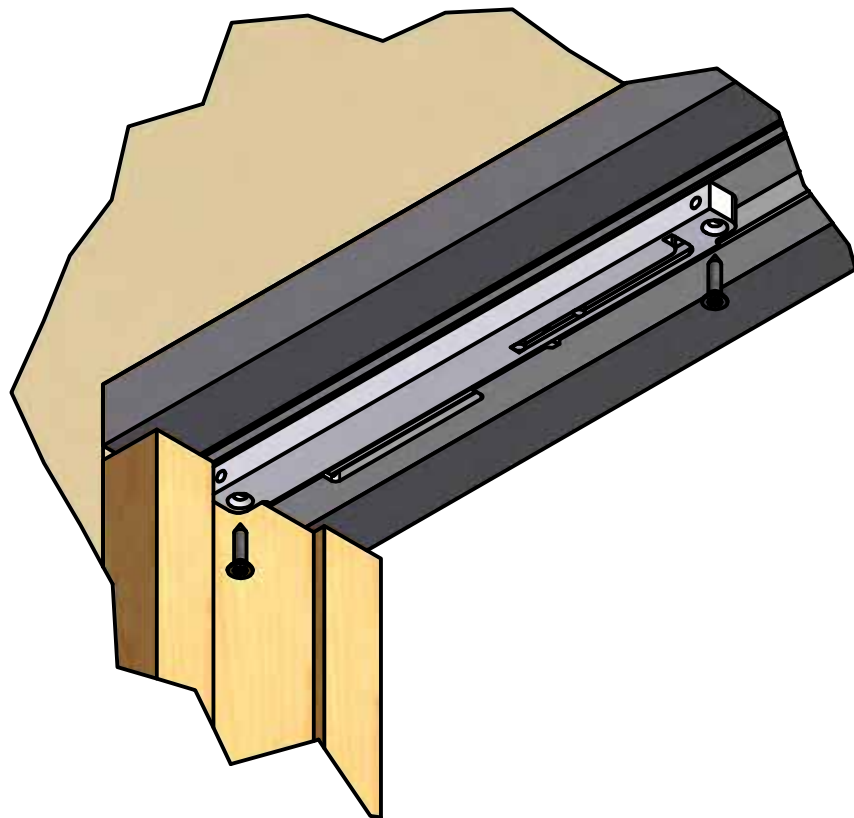
3



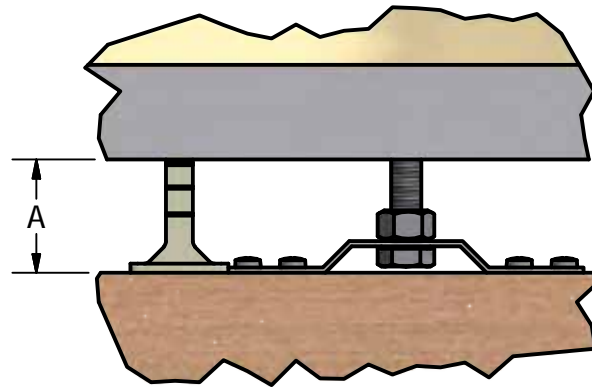
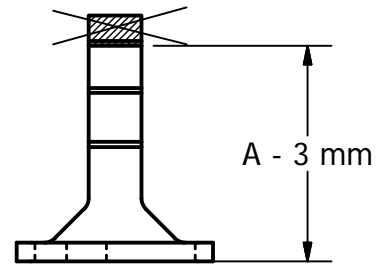


solution B

1



2



3

